

## New Advanced Design Unit

Galletti's initiative to create an in-house **Advanced Design Unit** is fully in line with the tradition of Italian products. The approach to design based on design culture starts above all by considering the customer's needs, in order to define a "**product system**" (not just a material object) that fully meets the user's expectations with the possibility of a previously unprecedented level of customisation for the industry.

Creating a Design Unit means choosing an approach based on the relationship and involvement of the customer in the **creative process, combining desirability with technological innovation**, business with sustainability, and the user experience with technical and regulatory requirements.

This method represents a radically innovative concept that starts, ideally, with an approach geared towards exploring possibilities even before setting product specifications. In line with the **Design Thinking** approach, we decided to start our design activities by questioning and observing, in order to learn and then conceive and design innovative solutions that are increasingly tailored to people's sensitivity and way of life.

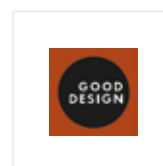
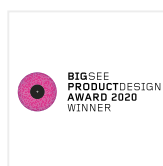
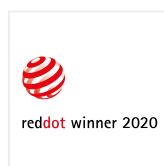
Ultimately, design is not simply the search for a beautiful form, but above all a relationship with the customer. We believe that this is the real key to success and the future of business. **This is the path we have decided to follow by creating the Advanced Design Unit within the company.**

## Design-driven innovation for the comfort of interiors.

Galletti has always offered a wide range of hydronic indoor units for air conditioning systems with state-of-the-art technology, combining **reliability and comfort**. The great attention paid to technical standards, experience in development and design, and the constant pursuit of innovation have recently led the company to invest heavily in **design**. Thanks also to our collaboration with the Department of Architecture of the University of Bologna. Galletti was the first to create a **new concept of hydronic indoor units**: no longer were they an element to be concealed, but a perfect fusion of **performance** and **aesthetics**. This innovative approach led to the creation of **ART-U** and **EFFETTO**.

**ART-U is the first design fan coil unit**, available in various colour versions, with a brushed or matt aluminium panel, or with a customisable panel in the Canvas version.

**EFFETTO is the design module for air intake and diffusion with the Coandă effect**, which can be combined with ACQVARIA hydronic cassette units.



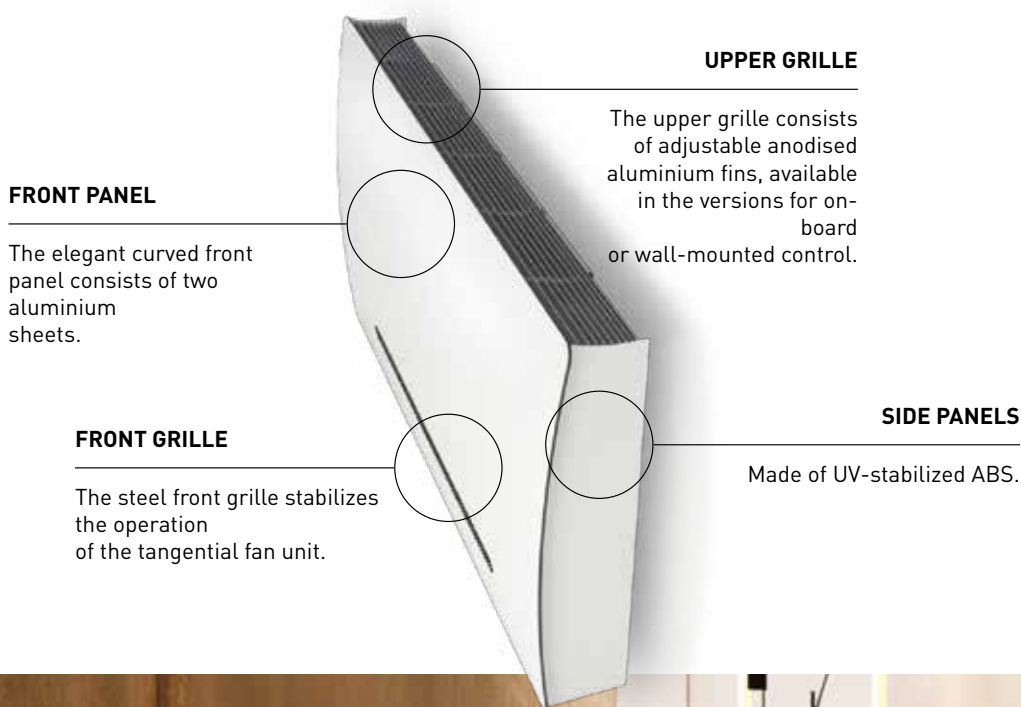
*Galletti's pursuit of innovation has already garnered major endorsements, winning over the judging panels of the most prestigious international industrial product design awards.*



## ART-U Fits perfectly

ART-U is the perfect fan coil for the perfect interior. Its versatility opens boundaries to **unique characterisations**, for solutions with great individuality. Air conditioning is now design-addicted thanks to Galletti's innovative fan coil, **up to 10 cm deep**.

*Fan coil  
and environment  
in perfect  
harmony.  
Every colour is a  
new inspiration.*





## ART-U Metallic skin

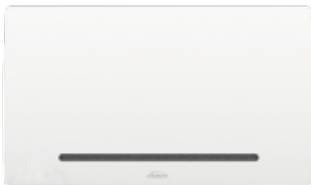
Technological innovation meets the clean, textured lines of the metal frame to satisfy the most elegant design requirements. A unique style, both minimalist and revolutionary at the same time, that you can touch, even with your eyes. Choose the ideal shade to bring life to seductive and exclusive settings.



### ART-U GREY

Space for tech design. ART-U Grey, with its elegant front panel made of brushed natural aluminium, stands out in spaces where great ideas are born.

**Step into the future of air conditioning.**



### ART-U WHITE

The essence of air conditioning. It can camouflage itself in a white wall, but it cannot hide its enviable performance.

**The comfort of interiors, enhanced by design.**



### ART-U RED

Audacity, character, unmistakable style. ART-U Red is the furnishing element with high air conditioning performance that sets the tone in the most refined interiors. **The heart of the design beats strongly.**



### ART-U BLACK

The Italian-made fan coil that does not fear imitations comes in a black version to give a touch of strong personality to the coolest spaces.

**The emblem of elegance in comfort air conditioning.**

COMPONENT	MATERIAL	COLOUR			
		GREY	WHITE	RED	BLACK
Front panel	Aluminum	Brushed natural	White RAL9010	Red RAL3020	Black RAL9005
Front grille	Steel	Black RAL9005	Natural	Black RAL9005	Black RAL9005
Side panels	ABS	Black RAL9005	White RAL9010	Black RAL9005	Black RAL9005
Upper grille	Aluminum	Black RAL9005	Natural	Black RAL9005	Black RAL9005







## ART-U CANVAS

We got to work.  
A masterpiece was created.

The front panel of ART-U Canvas becomes a veritable painter's canvas, ready to be customised with every kind of **colour, graphic, geometry, and photographic image**. An infinite choice of solutions dedicated to interior design experts to create **unique, unprecedented, and iconic spaces**.

With ART-U Canvas, innovation goes hand in hand with imagination. This **intelligent** fan coil with **astonishing capabilities** was created to rewrite the rules of design and inspire customisation extending far beyond its surface.

### An inspiration that knows no boundaries.

You can choose between partial or total customisation of the panel.

*Infinite styles  
concentrated  
in a soul  
with astonishing  
performance.*

The first fan coil with an innovative customisable front panel. Images, graphics, and RAL, Pantone, and RGB colour scales. Everything is possible with ART-U Canvas.

## GRAPHIC SKIN

### PARTIAL CUSTOMISATION OF THE SURFACE

Customise the front panel as you wish, without sacrificing the metallic finish. The graphics leave the metallic finish visible and noticeable, contrasting with the matt appearance of the image reproduced on the panel, resulting in exclusive and elegant customisation.



## TOTAL GRAPHIC SKIN

### CUSTOMISATION OF THE ENTIRE SURFACE

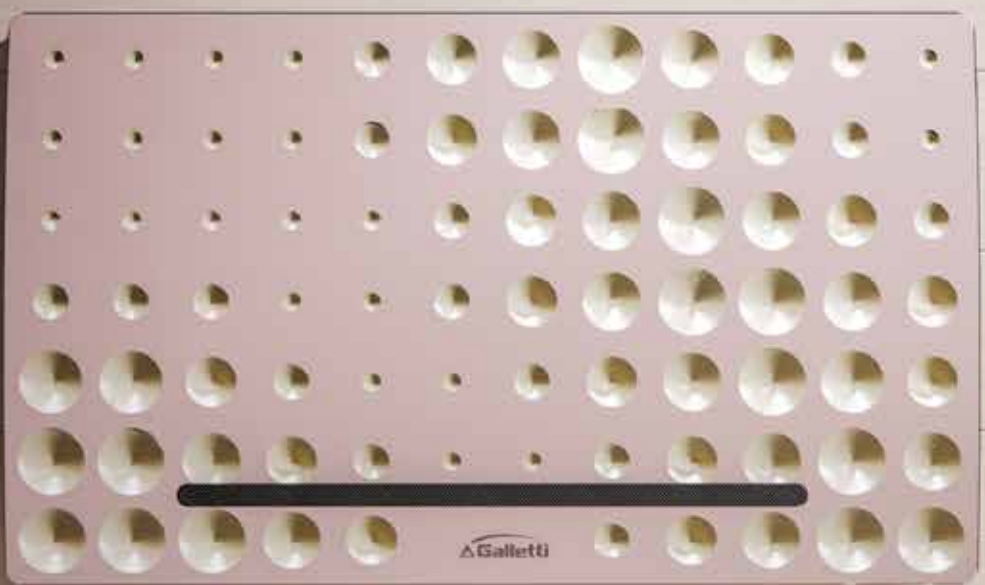
Achieve extreme levels of customisation by covering the entire front panel. Fully customisable in terms of colours and with any kind of graphics, geometry, or image: it is the fan coil designed to suit your imagination.



## ART-U CREATOR

Using this online software you can give shape to your air conditioning design ideas. There is a product for every solution: configuring the style of your interiors has never been so easy.



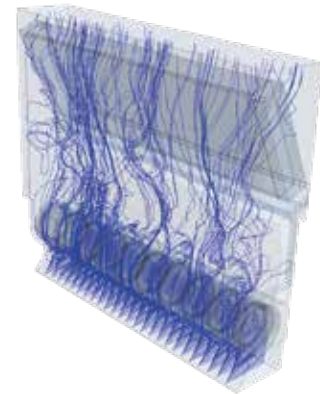


## TECHNOLOGY

The engine of innovation  
in a truly remarkable footprint.

### CFD SIMULATIONS

In the design phase of ART-U, by means of Computational Fluid Dynamics (CFD) simulations, it has been possible to **improve heat exchange**, with a consequent **reduction in power consumption and noise emissions** with the same components and under the same operating conditions. In fact, in CFD simulations the swirling movement of the air inside the hydronic indoor unit has been reproduced. The study of the air motion field has allowed the **reduction of fluid recirculation downstream from the fan**, preventing unwanted pressure drops inside the fan coil. The research also focused on improving the air distribution along the longitudinal axis of the fan unit.



### HEAT EXCHANGE COIL

With a high efficiency turbocoil-type heat exchanger and made with copper tubing and aluminium fins, it is equipped with brass manifolds and a vent valve. The hydrophilic treatment is applied to the fins as a standard treatment, to increase their **efficiency during cooling** while at the same time **providing greater resistance to aggressive environments**.

### EC INVERTER MOTOR

The EC motor with inverter integrated in the fan assembly is standard on ART-U, ensuring **low power consumption**. The energy savings and resulting reduction in CO<sub>2</sub> emissions, in comparison to conventional 3-speed AC motors, exceed 70% in seasonal operation.



### EXCEPTIONALLY QUIET OPERATION

The most frequent situation in the seasonal operation of a fan coil is the one with partial loads where the effective air flow rate is lower than the maximum. It is under these conditions that it is important to assess the acoustic impact of the indoor unit in the air-conditioned space. The sound power of ART-U at the minimum operating voltage of its inverter never exceeds 32 dB(A), thus allowing the fan coil to be **used even in the most demanding residential areas or hospitality facilities**. In fact, one of ART-U's advantages is its **low noise level**, an essential requirement for installation in bedrooms where it is recommended that sound power not exceed 40 dB(A) in order not to disturb sleep.





# EFFETTO

## Design module for air intake and diffusion with the Coandă effect

### COMFORT AND DESIGN IN PERFECT HARMONY

Galletti introduces EFFETTO, the design module for air intake and diffusion designed to complement the reliability and comfort of 600x600 mm ACQVARIA hydronic cassette units. EFFETTO **breaks with standard hydronic cassette units**, going far beyond the classic ABS grille with adjustable fins, and presents a design module that takes advantage of the Coandă effect. Galletti's Advanced Design Unit has created an Italian-made hydronic cassette unit with a minimalist, streamlined design that can be incorporated into the style of **any space, even in terms of colour**. EFFETTO is not just about aesthetics but also comfort, as it has been designed to optimise air diffusion thanks to the Coandă effect.

EFFETTO's Dibond metal panel is comprised of a sandwich of aluminium and polyethylene. The fine **metallic finish** is combined with the insulating properties of **polyethylene** to prevent condensation. The steel intake grille creates a single surface with the panel, thus enhancing the overall subtlety of the product.

The filter is easily removable for maintenance operations also due to the presence of magnets on the Dibond front panel. The air duct is made of black RAL 9005 polystyrene for a perfect colour match, and its geometry is designed to optimise the air flow in the room. The module, detached from the ceiling, interacts with all the elements and light sources in the room. EFFETTO is the perfect choice to give a smooth, streamlined appearance to the hydronic cassette unit.



GREY - Brushed natural aluminium

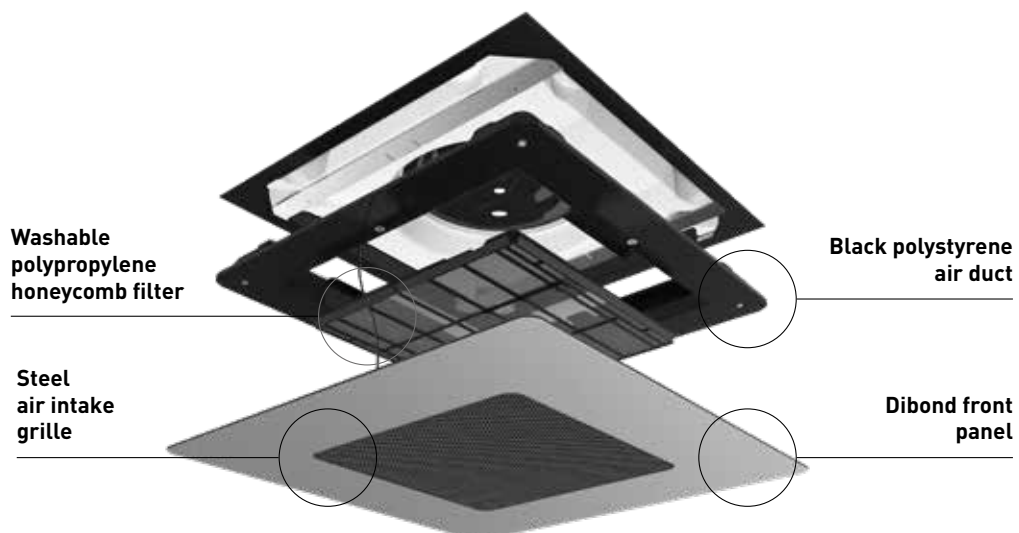


WHITE - White RAL 9010



BLACK - Black RAL 9005

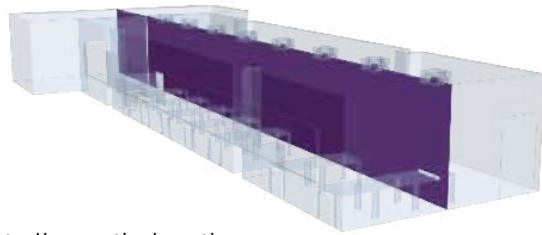
Three colour versions are available: **brushed natural aluminium**, **white RAL 9010**, and **black RAL 9005**. The black colour of all internal components creates a shadow effect on the surrounding surfaces, making the panel appear to literally float in the air.



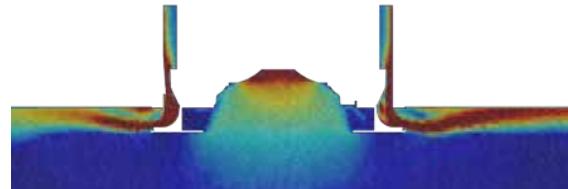


## Advanced design tools to optimise air flows

Computational fluid dynamics (CFD) simulations have made it possible to study the diffusion of air in interiors in order to make the most of the **Coandă effect**: the air flow reaches the ceiling without passing directly over the occupant, thus preventing localised discomfort.



Centreline vertical section where the hydronic indoor units have been installed.

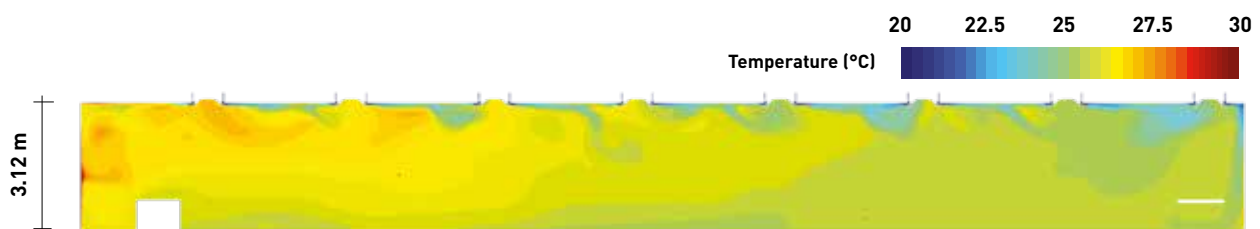


Cross-section of the EFFETTO module with air flows highlighted.

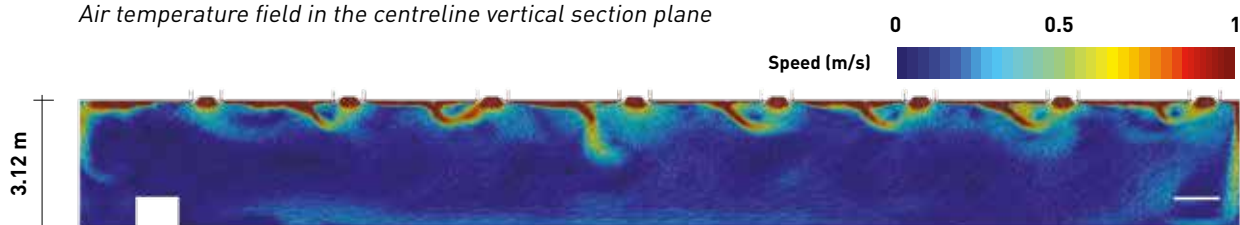
### CASE STUDY COOLING

In CFD simulations we evaluated a space used as a restaurant that can accommodate about 100 people equipped with 9 ACQVARIA hydronic cassette units with EFFETTO module. The design summer conditions are: **outdoor air temperature 33 °C, room setpoint temperature 26 °C.**

The geometry of the black polystyrene ducts was designed with the aid of CFD simulations and experimental testing at Galletti's R&D laboratories. **The aim was to ensure that the air flow passed over the ceiling and walls without ever directly hitting the occupants, by means of the Coandă effect.** The air distribution in the space is homogeneous; the left zone has a higher than average air temperature because it is adjacent to the kitchen.



Air temperature field in the centreline vertical section plane



Air speed field in the centreline vertical section plane.

Situations of localised discomfort are not expected, because the following two points have been verified:

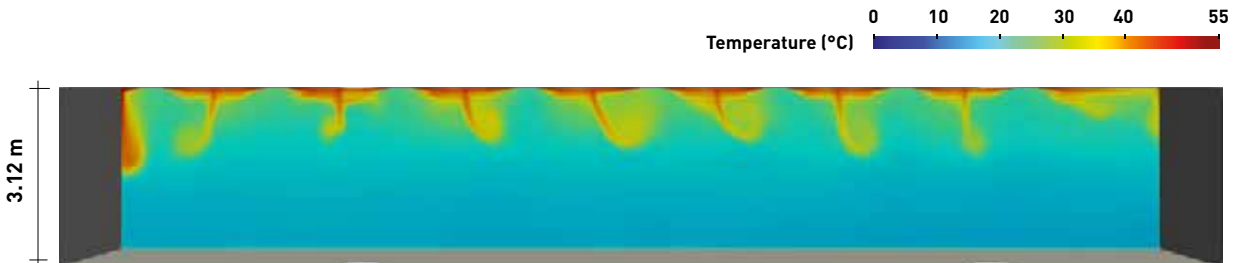
1. The air temperature gradient is always less than 3 K between the heights of the feet and head at 0.1 and 1.1 m above the floor respectively.
2. In the range between these two heights, the air speed is always less than 0.2 m/s.





**CASE STUDY** HEATING

The same space described in the previous case study was used in the CFD simulations. The design winter conditions are: **outdoor air temperature -5 °C, room setpoint temperature 20°C**



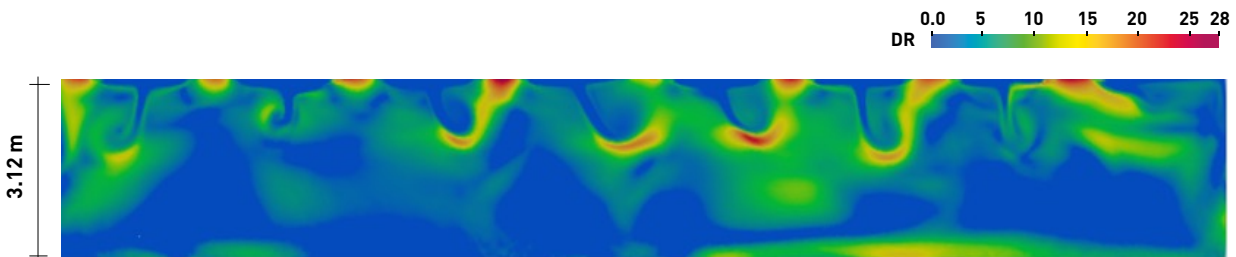
Air temperature field in the centreline vertical section plane

The UNI EN ISO 7730 standard identifies indices that define situations of temperature and humidity discomfort:

- Floor temperature;
- Highly uneven vertical temperatures;
- Draughts;
- Predicted Mean Vote.

**DRAUGHTS**

The average air speed is considered as a function of turbulence intensity in order to prevent discomfort from draughts due not only to the air speed in the space but also to the level of turbulence.



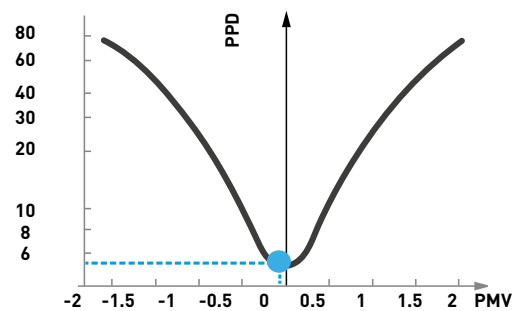
Risk of draughts in the centreline vertical section plane  
Mean DR value = 1.8

Circumscribed areas with DR≈20 at the vertical section where the cassette units are installed.

**PREDICTED MEAN VOTE (PMV)**

The predicted mean vote depends on numerous variables such as metabolic activity, clothing insulation, and air temperature and speed.

In this case, the predicted mean vote is -0.1 with a corresponding predicted percentage of dissatisfied (PPD) of 5.2%.



**All the indices taken into consideration confirmed that the temperature and humidity comfort conditions are guaranteed even in the presence of air stratification in the areas near the ceiling, which is a common occurrence during the heating season.**



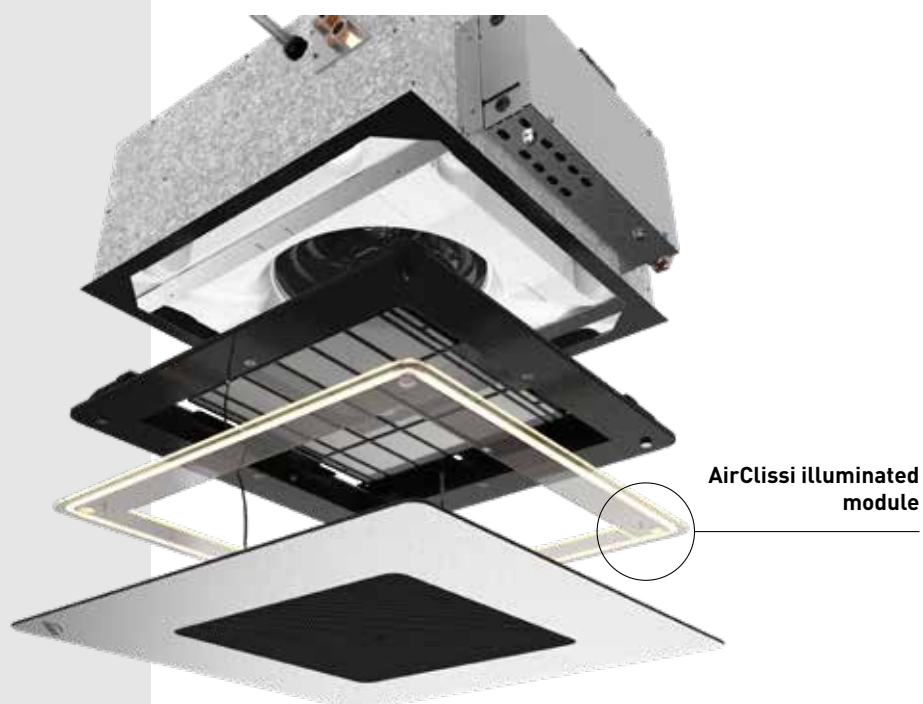
## EFFETTO AirClissi

The new design concept that combines light with Coandă effect air diffusion.

Often hydronic indoor units are evaluated on the basis of a single criterion: their technical performance. Undoubtedly, thermodynamic and acoustic performance are very important, but only if they are part of a broader comprehensive concept. Today, the **hydronic indoor unit** must be considered equally with all the other furnishings in the space to be air-conditioned: a platform capable of interacting with the layout of the environment and the people who live in it.

This interaction is now even stronger, with a **novel emotional dimension** for hydronic cassette units: **light**.

EFFETTO has now been combined with AirClissi to become the first Coandă effect illuminated module in the field of hydronic cassette units: **air** and **light** come together to create a unique design. **EFFETTO AirClissi** is a new Galletti product that elevates the concept of the hydronic cassette unit to an unprecedented aesthetic level, where **light is the new star of the show**.





## THE FASCINATION OF LIGHT

Remote and customised adjustment of the AirClissi illuminated module. There is a whole new light in the air.

The AirClissi light module is available in the 4000 K neutral color and compatible with **EFFETTO Grey, White and Black**.

The light intensity can be modulated through the EVO microprocessor controller, in its two versions EVODISP and EVO-2-TOUCH. Through a single device you have full control of the thermo-hygrometric conditions of the environment and from today also of its lighting.

The lights presence parameter can be set according to three different operating logics:

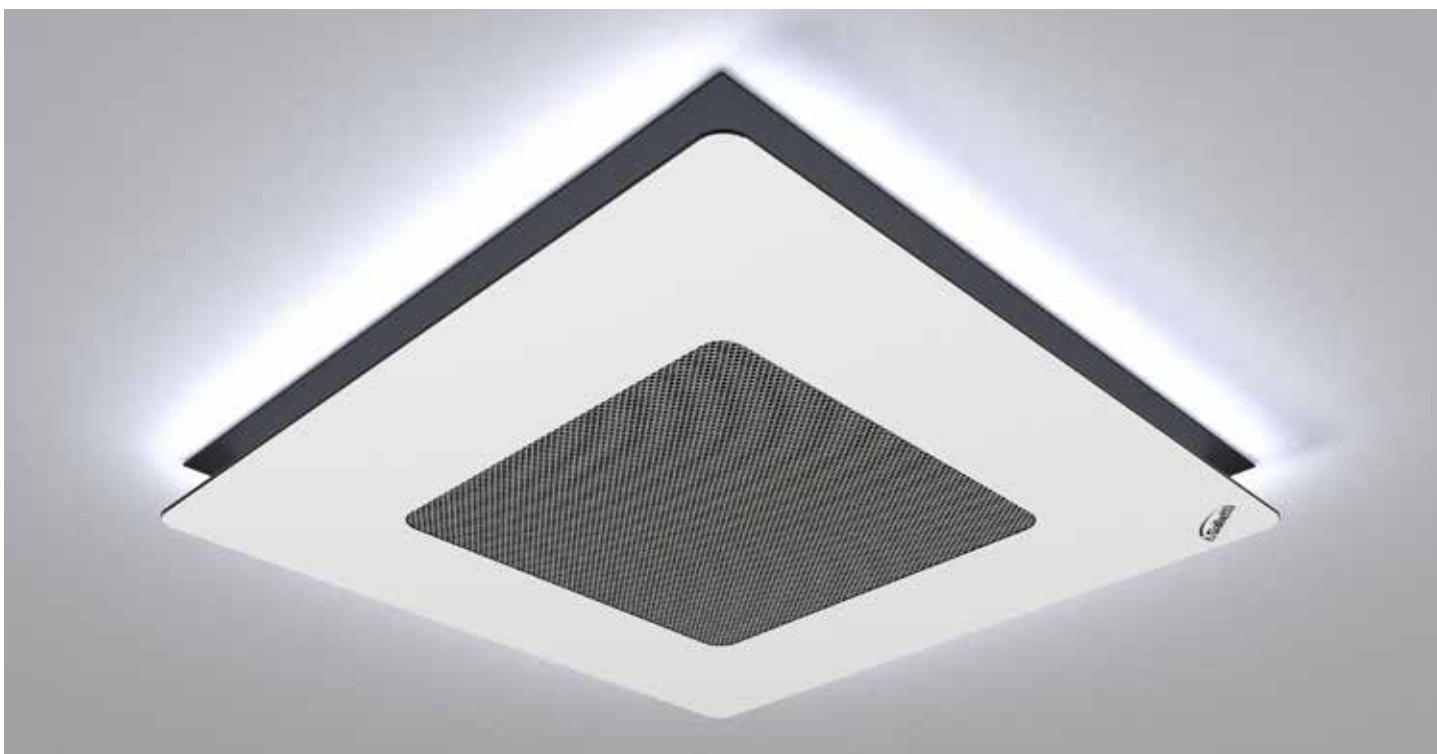
*Not present*, the luminous element is always off regardless of the state of the EVO controller;

*Yes - always*, the luminous element is always on regardless of the state of the EVO controller;

*Yes - unit on*, the luminous element turns on and off according to the state of the EVO controller.

**EFFETTO** was immediately understood as an evolving platform, and thanks to AirClissi, this is the first time that the luminous element has been combined with a hydronic cistern. It acts on the emotional content that the light transmits, making possible a strong interaction between the fan coil and the environment to be air-conditioned.

*The extreme elegance of EFFETTO AirClissi is guaranteed by the combination of minimal lines and character, by the Dibond material and by the light.*



# ACQVARIA and ACQVARIA i Components

Galletti has launched on the market an Italian-made cassette unit, now available with a design module for air intake and diffusion with the Coandă effect.

The range of cassette fan coils is available in the **ACQVARIA** and **ACQVARIA i** versions, respectively with a three-speed AC motor and an EC motor, developed in two dimensional frames of 600x600 mm and 900x900 mm.

The **ACQVARIA i** series of cassette fan coils consists of 6 models that can be used with 2-pipe systems and 4 models that can be used with 4-pipe systems.

The suspended ceiling unit's structure houses all the components: heat exchange coil, fan drive assembly, and condensate collection and drainage system.

Its structure is designed for introducing fresh air into the space, mixing it with recovered air, and distributing the treated air from the cassette unit to adjacent rooms.

The design and colour of the ABS grille, white RAL 9003 or white RAL 9010, ensure optimal integration into the suspended ceiling panels and allow easy access to the air filter for cleaning operations. The **EFFETTO** solution is now also available. It is a **design module** that diffuses air in the room by means of the Coandă effect.

**ACQVARIA** and **ACQVARIA i** cassette units can be combined with all control panels with wall-mounted user interface supported by a programmable microprocessor. On request, 2- or 3-way valves with ON-OFF or modulating actuator can be installed on the unit.

## 1. Fan drive assembly

Available with three-speed electric motor, directly connected to a centrifugal fan with backward-curving blades and optimised profile for stable operation at all speeds. Also available in a version with a permanent magnet EC electric motor, controlled by an inverter.

## 2. Heat exchange coil

Copper pipe and high efficiency aluminium fins secured to the pipe by mechanical expansion. With at least two rows in the models for 2-pipe systems, it is available in the 2+1 row configuration in the models for 4-pipe systems. The coil comes complete with manual air vent valves. On request, valves for regulating and balancing the unit's operation can be connected to the coil.

## 3. Structure

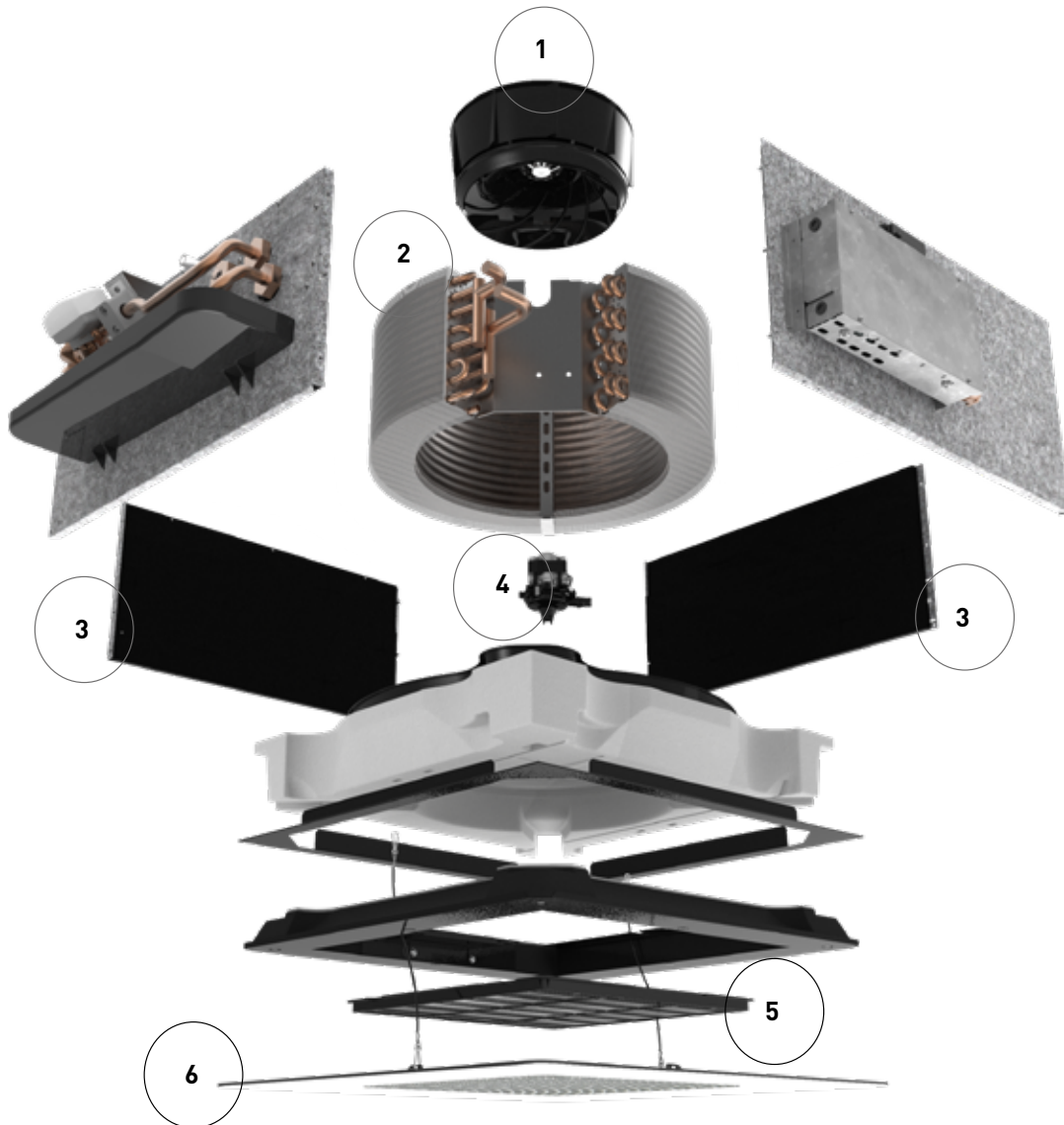
Made of galvanised steel sheet, externally covered in flocked polyester fabric and internally insulated with polyurethane foam to guarantee heat and sound insulation.

Fresh air can be introduced into the room directly through the unit due to the provision of connections for neutral or mixed introduction. There are systems for anchoring the unit to the ceiling. The electrical wiring is housed in a containment box, easily accessible on the side for easy connection.

## 4. Condensate collection and drainage system

Located under the heat exchanger, the main drip tray is made of polystyrene and is inserted inside the profiles optimised for the distribution of air in the room. The condensate drainage pump can lift the condensate up to 0.9 m from the exit point from the unit. The operation of the pump is controlled by a float switch with three levels of action that activate it, stop it and, if the critical level is exceeded, close the water valve. The supply is completed by the auxiliary water drip tray for the collection of condensate from the regulating valves.

A complete range of sizes and versions to meet any design requirement



**5. Air filter**

Honey-comb polypropylene washable air filter, easily removable for maintenance operations.

**6. Grille**

The EFFETTO design module for air intake and diffusion with the Coandă effect is available in 3 colours: white, black and metallic finished.

The air intake grille is available in RAL 9003 or RAL 9010 ABS, and it can be opened for access to the air filter.

Air is diffused in the space through the 4 sides, each of which is equipped with an adjustable fin with suitable thermal insulation.

EFFETTO AirClissi, the innovative solution that integrates the light element into the Coandă effect module.



White RAL9003

White RAL9010

Brushed natural aluminium

White RAL9010

Black RAL9005

ABS with adjustable fins

EFFETTO



Brushed natural aluminium + Led 4000K

White RAL9010 + Led 4000K

Black RAL9005 + Led 4000K

EFFETTO AirClissi

# ART-U and EFFETTO Controls

CONTROLLERS AND SOFTWARE FOR INTELLIGENT AIR CONDITIONING MANAGEMENT.

Room comfort is guaranteed effectively and intuitively by the **adjustment software** developed by Galletti. Air temperature and humidity control is quick and precise through the use of advanced microprocessor controls that allow **immediate interaction with the fan coil**.

## EVO

### Advanced adjustment solutions.

EVO encompasses the best of Galletti adjustment with regard to hydronic indoor units. It has an **intuitive interface** designed to manage the control software and is easy to install, even directly on ART-U. Now also EVO-2-TOUCH is available, the user interface equipped with a 2.8" touch screen, which ensures **ease of use for quick temperature and humidity comfort**, with frame available in 4 colours. The evolution is completed with the GALLETTI APP to control all fan coil functions via mobile devices.

From today it is also possible to manage the light module of EFFETTO AirClissi in a clear way.



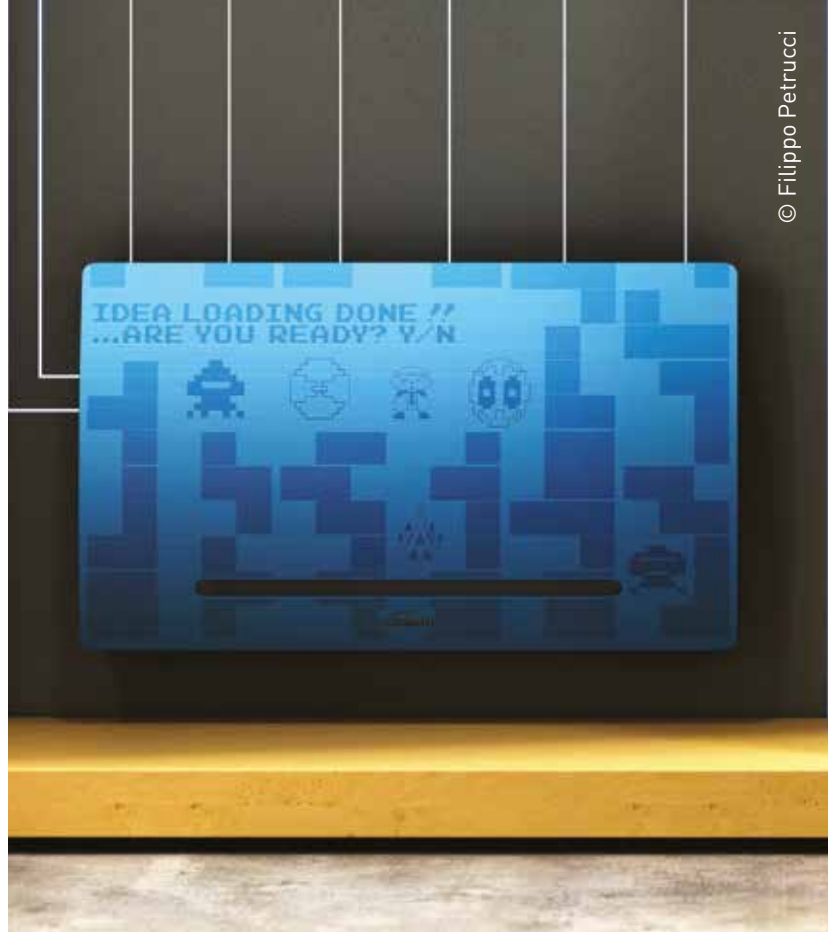
Colours available



The tap and swipe functions make the EVO-2-TOUCH control experience similar to that of your smartphone.







## EVO LINK

### WEB SERVER MONITORING SOFTWARE FOR AIR CONDITIONING SYSTEMS.

To provide a **supervision package** that is both intuitive and powerful, **Evo Link** was developed: Galletti monitoring in a convenient all-in-one format. Evo Link is an elegant but unobtrusive 5" wall-mounted tablet that contains everything necessary for monitoring a small system.

With Evo Link, a heat pump and **up to 30 indoor units can be controlled with Evo controls**, using cool, intuitive graphics.

With Evo Link, monitoring has never been easier: setting time slots, scheduled switching on or off, or changing your units' setpoints will be quick and convenient.



## GARDA

### WEB SERVER MONITORING SOFTWARE FOR AIR CONDITIONING SYSTEMS.

Web-based monitoring system that manages everything from chillers to indoor units for **comprehensive monitoring**, creating zones to which to assign devices and setting time schedules. GARDA also monitors external devices such as boilers or zone valves using the system's advanced logics. **Thanks to the new**

**Wi-Fi capabilities**, it offers the best user experience possible.



ART-U			10				20				30			
Speed			1	2	3	4	1	2	3	4	1	2	3	4
Input voltage		V	2.00	5.50	7.00	10.0	2.00	5.50	7.00	10.0	2.00	5.50	7.00	10.0
Total cooling capacity	(1)	kW	0.31	0.71	0.84	1.08	0.58	1.15	1.41	1.76	0.66	1.63	1.97	2.44
Sensible cooling capacity	(1)	kW	0.21	0.56	0.69	0.91	0.41	0.89	1.08	1.36	0.46	1.18	1.44	1.78
FCEER class			C				C				B			
Water flow	(1)	l/h	53	122	145	185	100	198	242	303	113	280	339	418
Pressure drop	(1)	kPa	1	4	5	8	2	6	9	13	2	12	17	24
Heating capacity	(2)	kW	0.29	0.82	1.05	1.40	0.59	1.33	1.60	1.98	0.67	1.78	2.15	2.65
FCCOP class			C				C				C			
Water flow	(2)	l/h	51	143	183	243	103	231	278	345	117	310	374	461
Pressure drop	(2)	kPa	1	4	6	11	2	7	10	14	2	12	17	24
Air flow rate		m <sup>3</sup> /h	40	148	207	312	82	224	287	389	91	302	392	529
Power input		W	4	7	9	14	4	10	12	17	5	11	15	24
Total sound power level	(3)	dB(A)	28	41	46	54	28	41	47	54	28	42	47	54

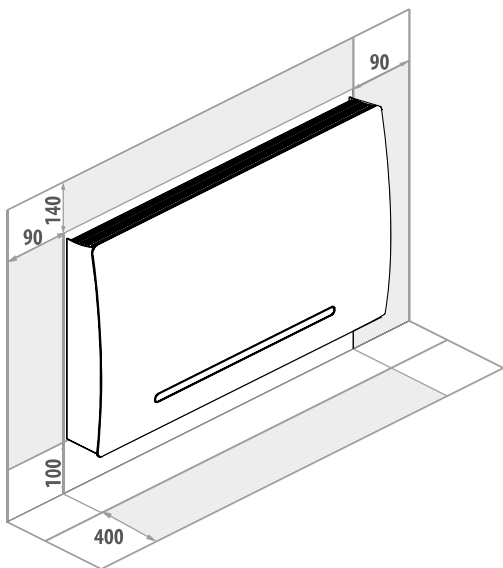
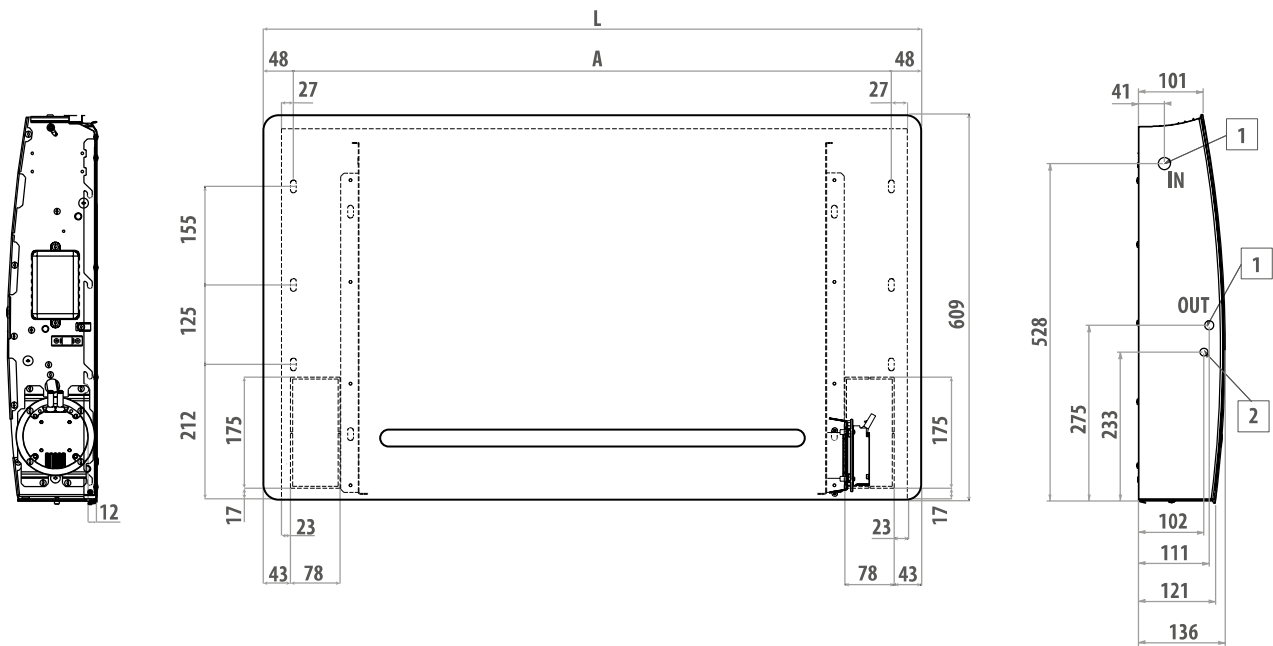
ART-U			40				50			
Speed			1	2	3	4	1	2	3	4
Input voltage		V	2.00	5.50	7.00	10.0	2.00	5.50	7.00	10.0
Total cooling capacity	(1)	kW	0.76	1.84	2.37	3.12	0.92	2.32	2.89	3.69
Sensible cooling capacity	(1)	kW	0.53	1.38	1.77	2.33	0.65	1.72	2.15	2.77
FCEER class			B				B			
Water flow	(1)	l/h	131	315	406	535	157	398	496	634
Pressure drop	(1)	kPa	2	12	18	29	3	13	19	29
Heating capacity	(2)	kW	0.74	1.99	2.49	3.21	0.95	2.56	3.16	4.02
FCCOP class			C				B			
Water flow	(2)	l/h	128	347	433	559	165	446	550	698
Pressure drop	(2)	kPa	2	11	17	26	2	13	19	28
Air flow rate		m <sup>3</sup> /h	104	363	496	724	129	439	587	831
Power input		W	5	12	17	27	5	12	18	30
Total sound power level	(3)	dB(A)	31	42	47	54	32	42	47	54

(1) Water temperature 7-12 °C, air temperature 27 °C dry bulb, 19 °C wet bulb (47 % relative humidity) expressed according to EN 1397:2015

(2) Water temperature 45-40 °C, air temperature 20 °C

(3) Sound power measured according to standards ISO 3741 and ISO 3742

Power supply 230-1-50 (V-ph-Hz)



LEGEND

- 1 - Female water connections, standard coil  $\varnothing$  1/2"
- 2 - Diameter of drain outlet for vertical installation  $\varnothing$  17 mm

ART-U	H	L	WEIGHT
	mm	mm	kg
10	616	711	12
20	772	867	14
30	941	1036	17
40	1173	1268	19
50	1307	1402	21



ACQVARIA - 2 PIPES			AQ10Q0B0			AQ20Q0B0			AQ30Q0B0		
Speed			MIN	MED	MAX	MIN	MED	MAX	MIN	MED	MAX
Total cooling capacity	(1)	kW	1.70	1.97	2.53	2.39	3.55	4.31	3.40	4.61	5.00
Sensible cooling capacity	(1)	kW	1.33	1.60	2.14	1.66	2.53	3.18	2.43	3.44	3.79
FCEER class			C			C			D		
Water flow	(1)	l/h	295	342	441	416	616	749	593	803	873
Pressure drop	(1)	kPa	3	4	6	9	19	26	9	16	18
Heating capacity	(2)	kW	1.97	2.33	3.10	2.29	3.44	4.30	3.49	4.92	5.35
FCCOP class			C			D			E		
Water flow	(2)	l/h	342	404	539	399	597	747	607	855	930
Pressure drop	(2)	kPa	3	5	8	7	15	22	8	15	17
Air flow rate		m³/h	297	379	557	306	487	640	479	717	805
Power input		W	18	23	42	32	40	50	57	74	89
Total sound power level	(3)	dB(A)	33	37	45	40	44	50	47	55	58

ACQVARIA - 2 PIPES			AQ40Q0B0			AQ50Q0B0			AQ60Q0B0		
Speed			MIN	MED	MAX	MIN	MED	MAX	MIN	MED	MAX
Total cooling capacity	(1)	kW	4.64	5.36	7.01	5.16	6.11	8.24	6.34	8.61	9.73
Sensible cooling capacity	(1)	kW	3.42	3.99	5.29	3.68	4.37	6.10	4.59	6.40	7.35
FCEER class			C			C			D		
Water flow	(1)	l/h	805	930	1223	893	1060	1434	1097	1498	1696
Pressure drop	(1)	kPa	14	18	28	12	16	26	16	26	32
Heating capacity	(2)	kW	5.16	6.06	8.17	5.22	6.53	9.18	6.71	9.53	11.1
FCCOP class			D			C			D		
Water flow	(2)	l/h	897	1053	1420	908	1136	1596	1167	1656	1930
Pressure drop	(2)	kPa	14	18	30	10	15	26	15	26	33
Air flow rate		m³/h	801	997	1494	718	902	1380	902	1380	1651
Power input		W	47	64	108	47	64	108	64	108	147
Total sound power level	(3)	dB(A)	35	40	51	35	40	51	40	51	56

- (1) Water temperature 7-12 °C, air temperature 27 °C dry bulb, 19 °C wet bulb (47% relative humidity), expressed according to EN 1397:2015
- (2) Water temperature 45-40 °C, air temperature 20 °C
- (3) Sound power measured according to standards ISO 3741 and ISO 3742

ACQVARIA - 4 PIPES			AQ10Q0BB			AQ20Q0BB			AQ30Q0BB		
Speed			min	med	max	min	med	max	min	med	max
DF total cooling capacity	(1)	kW	1,56	1,85	2,35	2,01	2,83	3,38	2,58	3,38	3,62
DF sensible cooling capacity	(1)	kW	1,24	1,49	1,94	1,49	2,22	2,77	2,00	2,77	3,02
DF FCEER class			C			E			E		
DF 1R water flow		l/h	271	321	410	351	493	589	453	593	637
DF 1R pressure drop		kPa	3	4	6	10	16	22	5	8	9
DF 1R heating capacity	(2)	kW	2,53	2,88	3,55	2,75	3,62	4,22	3,67	4,54	4,81
DF 1R FCCOP class			C			D			E		
DF 1R water flow	(2)	l/h	222	258	311	241	317	369	322	398	421
DF 1R pressure drop	(2)	kPa	4	5	8	6	9	12	5	8	9
DF 1R air flow rate		m³/h	289	366	533	306	487	640	479	717	805
DF 1R power input		W	18	23	42	35	55	73	57	74	89
DF 1R total sound power level	(3)	dB(A)	33	37	45	40	44	50	47	55	58

ACQVARIA - 4 PIPES			AQ35Q0BB			AQ40Q0BB			AQ60Q0BB		
Speed			min	med	max	min	med	max	min	med	max
DF total cooling capacity	(1)	kW	3,50	4,39	4,68	4,73	6,60	7,45	5,83	8,48	9,00
DF sensible cooling capacity	(1)	kW	2,56	3,17	3,50	3,47	5,04	5,81	4,29	6,56	6,98
DF FCEER class			D			C			D		
DF 1R water flow		l/h	602	755	805	822	1148	1299	1010	1477	1571
DF 1R pressure drop		kPa	8	12	15	10	20	25	16	31	34
DF 1R heating capacity	(2)	kW	2,57	2,94	3,18	2,20	2,90	3,18	2,57	3,18	3,42
DF 1R FCCOP class			E			C			C		
DF 1R water flow	(2)	l/h	221	253	273	634	840	929	757	1026	1083
DF 1R pressure drop	(2)	kPa	7	12	14	12	19	23	16	27	30
DF 1R air flow rate		m³/h	479	717	805	718	1147	1380	902	1544	1651
DF 1R power input		W	44	67	75	47	86	108	64	128	147
DF 1R total sound power level	(3)	dB(A)	47	55	58	35	47	51	40	54	56

- (1) Water temperature 7-12 °C, air temperature 27 °C dry bulb, 19 °C wet bulb (47% relative humidity), expressed according to EN 1397:2015
- (2) Water temperature 65-55 °C, air temperature 20 °C
- (3) Sound power measured according to standards ISO 3741 and ISO 3742



ACQVARIA i -2 PIPES			AQ10QIBO			AQ20QIBO			AQ30QIBO		
			MIN	MED	MAX	MIN	MED	MAX	MIN	MED	MAX
Speed			2	3	4	2	3	4	2	3	4
Input voltage		V	3,50	4,50	6,00	4,00	5,50	8,00	4,00	6,50	10,0
Total cooling capacity	(1)	kW	1,93	2,24	2,63	2,68	3,40	4,39	2,76	3,95	5,23
Sensible cooling capacity	(1)	kW	1,51	1,81	2,20	1,94	2,54	3,41	1,98	2,96	4,11
FCEER class			A								
Water flow	(1)	l/h	331	385	452	460	584	754	473	678	898
Pressure drop	(1)	kPa	4	5	7	10	15	23	9	18	29
Heating capacity	(2)	kW	2,27	2,70	3,25	2,69	3,48	4,58	2,77	4,09	5,55
FCCOP class			A			B			B		
Water flow	(2)	l/h	395	470	565	468	605	797	481	711	965
Pressure drop	(2)	kPa	5	6	9	8	13	21	8	16	27
Air flow rate		m³/h	397	454	583	397	551	796	397	650	980
Power input		W	6	9	17	9	14	37	10	21	67
Total sound power level	(3)	dB(A)	35	40	46	37	44	54	38	49	61

ACQVARIA i -2 PIPES			AQ40QIBO			AQ50QIBO			AQ60QIBO		
			MIN	MED	MAX	MIN	MED	MAX	MIN	MED	MAX
Speed			1	2	3	2	3	4	2	3	4
Input voltage		V	2,00	3,00	5,00	3,00	5,00	8,00	4,00	6,50	10,0
Total cooling capacity	(1)	kW	4,80	5,36	6,39	5,92	7,26	9,01	6,70	8,17	10,5
Sensible cooling capacity	(1)	kW	3,80	3,92	4,75	4,24	5,31	6,78	4,80	6,06	7,97
FCEER class			A			A			B		
Water flow	(1)	l/h	833	921	1097	1015	1245	1545	1150	1401	1805
Pressure drop	(1)	kPa	12	16	21	13	18	27	15	23	33
Heating capacity	(2)	kW	5,50	6,00	7,30	6,33	7,99	10,2	7,23	9,14	12,2
FCCOP class			A			B			B		
Water flow	(2)	l/h	953	1043	1269	1100	1390	1779	1257	1590	2116
Pressure drop	(2)	kPa	3	16	23	12	19	29	15	24	36
Air flow rate		m³/h	843	978	1276	864	1143	1554	976	1350	1831
Power input		W	13	18	36	18	36	93	25	60	150
Total sound power level	(3)	dB(A)	35	39	45	39	45	53	43	50	58

(1) Water temperature 7-12 °C, air temperature 27 °C dry bulb, 19 °C wet bulb (47% relative humidity), expressed according to EN 1397:2015

(2) Water temperature 45-40 °C, air temperature 20 °C

(3) Sound power measured according to standards ISO 3741 and ISO 3742

ACQVARIA i -4 PIPES			AQ10QIBB			AQ30QIBB			AQ35QIBB			AQ40QIBB			AQ60QIBB		
			min	med	max	min	med	max	min	med	max	min	med	max	min	med	max
Speed			2	3	4	2	3	4	2	3	4	1	2	3	2	3	4
Input voltage		V	3,50	4,50	6,00	4,00	6,50	10,0	4,00	6,50	10,0	2,00	3,00	5,00	4,00	6,50	10,0
DF 1R total cooling capacity	(1)	kW	1,85	2,18	2,60	2,05	2,80	3,61	3,03	3,83	5,01	4,61	5,34	6,61	6,09	7,62	9,50
DF 1R sensible cooling capacity	(1)	kW	1,46	1,79	2,23	1,62	2,38	3,31	2,17	2,79	3,98	3,34	3,94	5,03	4,50	5,82	7,56
DF FCEER class			A			A			A			A			B		
DF 1R water flow		l/h	317	374	447	352	480	620	521	659	862	792	917	1135	1045	1307	1631
DF 1R pressure drop		kPa	4	6	8	5	9	14	6	10	17	12	15	22	17	25	37
DF 1R heating capacity	(2)	kW	2,90	3,34	3,86	3,14	4,06	4,98	2,39	2,88	3,43	7,01	7,96	9,53	8,96	10,8	12,9
DF 1R FCCOP class			A			B			B			A			B		
DF 1R water flow	(2)	l/h	254	292	338	275	356	435	206	248	295	613	697	834	785	947	1133
DF 1R pressure drop	(2)	kPa	6	8	11	7	11	16	5	10	16	11	14	19	18	24	33
DF 1R air flow rate		m³/h	356	460	610	395	643	982	395	643	982	687	841	1137	956	1314	1823
DF 1R power input		W	6	9	17	11	21	67	9	22	67	15	18	36	25	60	150
DF 1R sound power level	(3)	dB(A)	35	40	46	38	49	61	38	49	61	35	39	45	43	50	58

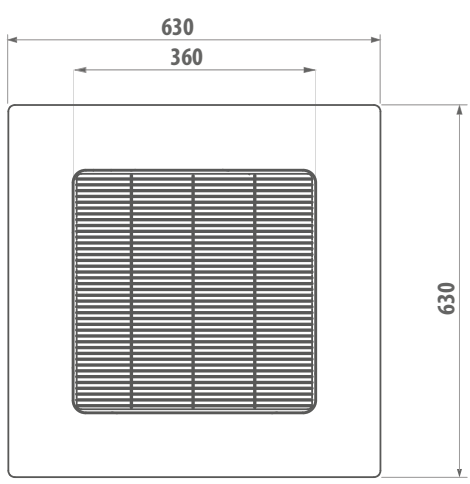
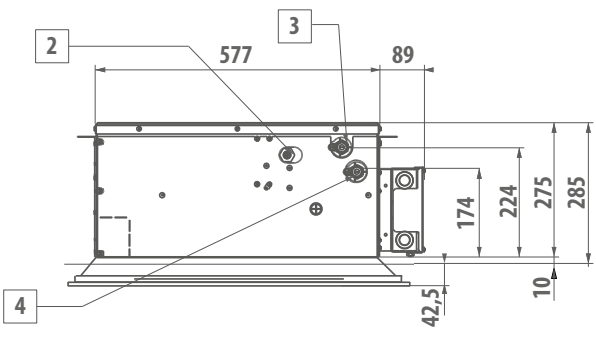
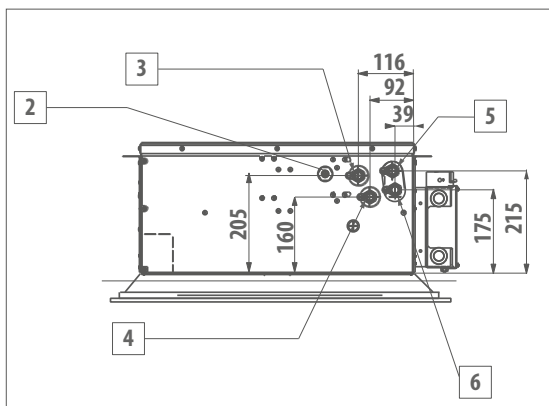
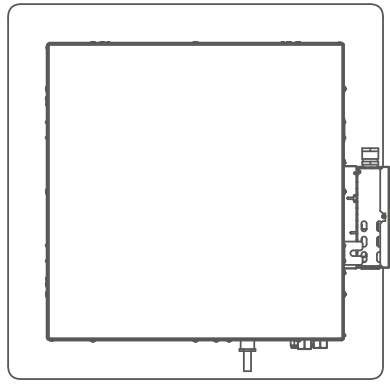
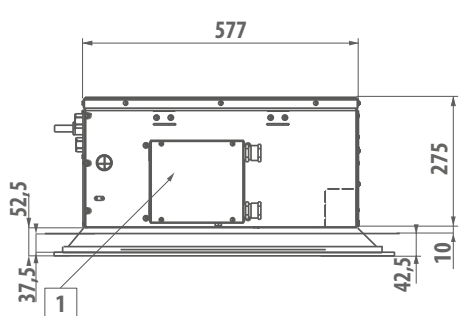
(1) Water temperature 7-12 °C, air temperature 27 °C dry bulb, 19 °C wet bulb (47% relative humidity), expressed according to EN 1397:2015

(2) Water temperature 65-55 °C, air temperature 20 °C

(3) Sound power measured according to standards ISO 3741 and ISO 3742



AQ / AQi .10 .20 .30 EFFETTO DESIGN MODULE FOR AIR INTAKE AND DIFFUSION WITH THE COANDĂ EFFECT



LEGEND

- |   |   |
|---|---|
| 1 - Electrical box  | 4 - Cooling exchanger water inlet, $\varnothing$ 1/2" female gas  |
| 2 - Condensate drain $\varnothing$ 10                             | 5 - Heating exchanger water outlet, $\varnothing$ 1/2" female gas |
| 3 - Cooling exchanger water outlet, $\varnothing$ 1/2" female gas | 6 - Heating exchanger water inlet, $\varnothing$ 1/2" female gas  |

AQi - Size 20 not available in 4-pipe version





**Galletti S.p.A.**  
Via L. Romagnoli 12/a  
40010 Bentivoglio (BO) ITALY  
Ph.: +39 051 8908111  
info@galletti.it



[www.galletti.it](http://www.galletti.it)